



LAARS[®] MINITHERM

Gas-Fired Residential
Hydronic Boilers

**Efficient Up To
85% AFUE!**



LAARS[®] 
Heating Systems Company
A subsidiary of **BRADFORD WHITE[®]** Corporation

THE COMPACT MINI-THERM™ **FOR SUPERB HOME HEATING COMFORT**

LAARS MINI-THERM gas-fired residential hydronic boiler is the ideal heating appliance that saves home owners money on heating costs and has plenty of capacity to keep even the largest home comfortable on the coldest days. The compact boiler comes in three varieties (JVT-standing pilot, the Energy Star rated JVS-spark ignition, and JVH-hot surface ignition with induced draft) to meet your installation needs... and your budget.

Newly improved Mini-Therm, features an attractive and easy-to service jacket, low-mass heat exchanger and a super-quick heating response to meet your residential application requirements. Ideal for new homes or replacement boilers, the Mini-Therm boiler operates efficiently to save energy and minimize utility bills, and is very compact, to save space. It's also easy to install, and its reliability has been proven in the field over many years to give you years of heating comfort and excellent dependability. Natural or propane gas models are available for all ignition types and are capable of higher efficiencies - even at high altitudes.

Mini-Therm boilers offer exceptional value with "high performance hydronics" that give customers the highest performance at the lowest cost. By far, Mini-Therm is the right solution for any size residential home heating system.





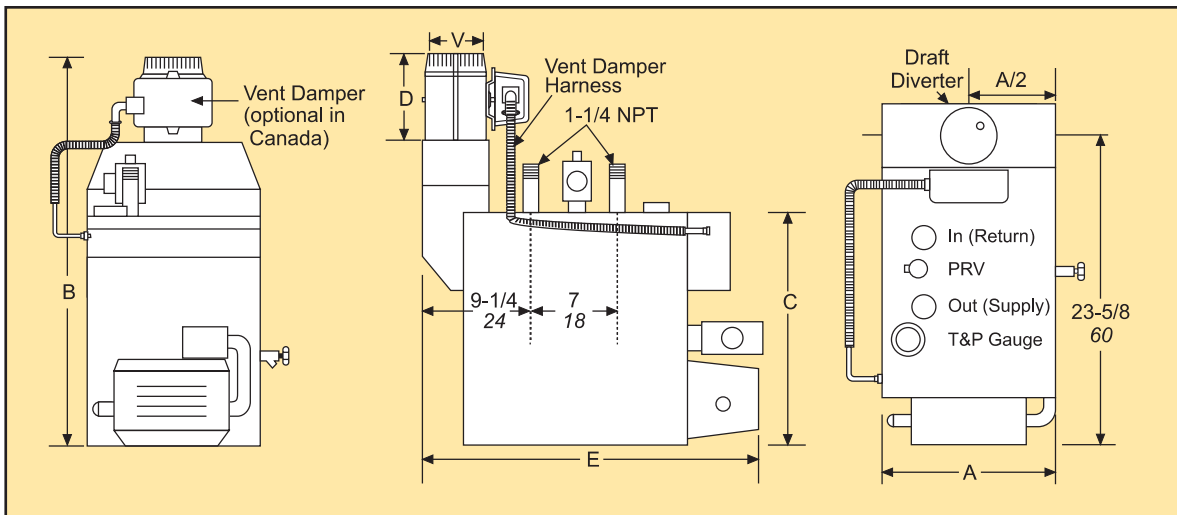
LAARS® MINITHERM JV (ENERGY STAR RATED JVS)

Extremely popular with homeowners, JVT & JVS models offer a new attractive and easy-to service jacket. Well-known for their economy, both models come with a built-in draft diverter and automatic vent damper to stop your valuable fuel payments from disappearing up the chimney in wasted heat. JVT-standing pilot ignition models use single-stage, on/off firing modes for all six sizes. JVS-spark ignition models also use the on/ off mode for the two smaller sizes (50 & 75), but offer energy saving “Low/High” firing for sizes 100, 125, 160 & 225 earning it an energy star rating. The advantage is that 2-Stage firing allows the unit to match a home's heating load requirement. Therefore, reducing shortcycling in homes that have small heating zones that don't require the full boiler capacity...another way to save energy.

JVT* JVS Size	Input		JVT Firing Mode	JVS Firing Mode	Heat Capacity BTU/h x 1000				Heat Capacity kW				AFUE %			
	BTU/h x 1000	kW			JVS		JVT		JVS		JVT		JVS		JVT	
					Natural	Propane	Natural	Propane	Natural	Propane	Natural	Propane	Natural	Propane	Natural	Propane
50	50	14.6	On/Off	On/Off	42.0	42.0	42.0	42.0	12.3	12.3	12.3	12.3	85.0	85.4	80.2	82.0
75	75	21.9	On/Off	On/Off	63.0	63.0	63.0	63.0	18.5	18.5	18.5	18.5	85.0	85.2	80.5	82.5
100	100	29.1	On/Off	2-Stage	82.0	84.0	83.0	85.0	24.0	24.6	24.3	24.9	85.0	85.0	80.7	82.7
125	125	36.6	On/Off	2-Stage	105.0	105.0	104.0	106.0	30.8	30.8	30.5	31.1	85.0	85.0	80.7	82.7
160	160	46.8	On/Off	2-Stage	134.4	134.4	133.0	135.0	39.4	39.4	39.0	39.6	85.0	85.0	81.0	83.0
225	225	65.9	On/Off	2-Stage	189.0	189.0	186.0	189.0	55.4	55.4	54.5	55.4	85.0	85.0	81.5	83.5

JVT* JVS Size	Dimensions														Water Conn. in.	Gas Conn. in.	Approx Weight	
	A		B		C		D		E		F		V				lbs.	kg
	Inches	kW	Inches	kW	Inches	kW	Inches	kW	Inches	kW	Inches	kW	Inches	kW				
50	13 ³ / ₈	34	27 ³ / ₄	71	23 ⁵ / ₈	60	21 ³ / ₄	55	26 ¹ / ₂	67	18	46	4	10	1 ¹ / ₄	1/2	120	54
75	13 ³ / ₈	34	27 ³ / ₄	71	24 ¹ / ₈	61	21 ³ / ₄	55	27 ¹ / ₂	70	18	46	5	13	1 ¹ / ₄	1/2	126	57
100	16 ⁷ / ₈	43	28 ³ / ₄	73	24 ¹ / ₈	61	22 ³ / ₄	58	27 ¹ / ₂	70	18	46	5	13	1 ¹ / ₄	1/2	134	61
125	16 ⁷ / ₈	43	28 ³ / ₄	73	23 ⁵ / ₈	60	22 ³ / ₄	58	27 ¹ / ₂	70	18	46	6	15	1 ¹ / ₄	1/2	138	63
160	20 ³ / ₈	52	28 ³ / ₄	73	23 ⁵ / ₈	60	22 ³ / ₄	58	27 ¹ / ₂	70	18	46	6	15	1 ¹ / ₄	1/2	164	74
225	25 ⁵ / ₈	65	31 ¹ / ₂	80	23 ¹ / ₄	59	24 ³ / ₄	63	27 ¹ / ₂	70	20	51	7	18	1 ¹ / ₄	1/2	181	82

*JVT is Standing Pilot and JVS is Spark Ignition



LAARS® MINITHERM JVH

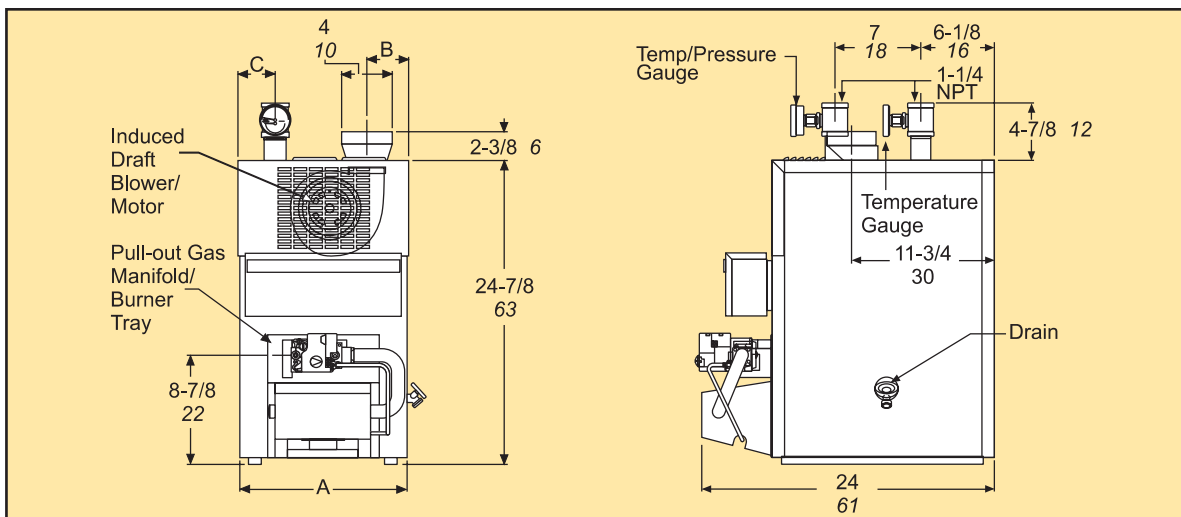


Mini-Therm JVH uses an H.S.I. (hot surface ignition system) to operate all six sizes in singlestage, on/off firing modes. The boiler is equipped with a draft blower that permits side-wall or chimney venting. Compact models are also easy to install, operate and maintain.

- Hot surface ignition system
- Up to 83% AFUE
- Single-stage on/off firing mode
- Induced draft system with gravity operated vent damper

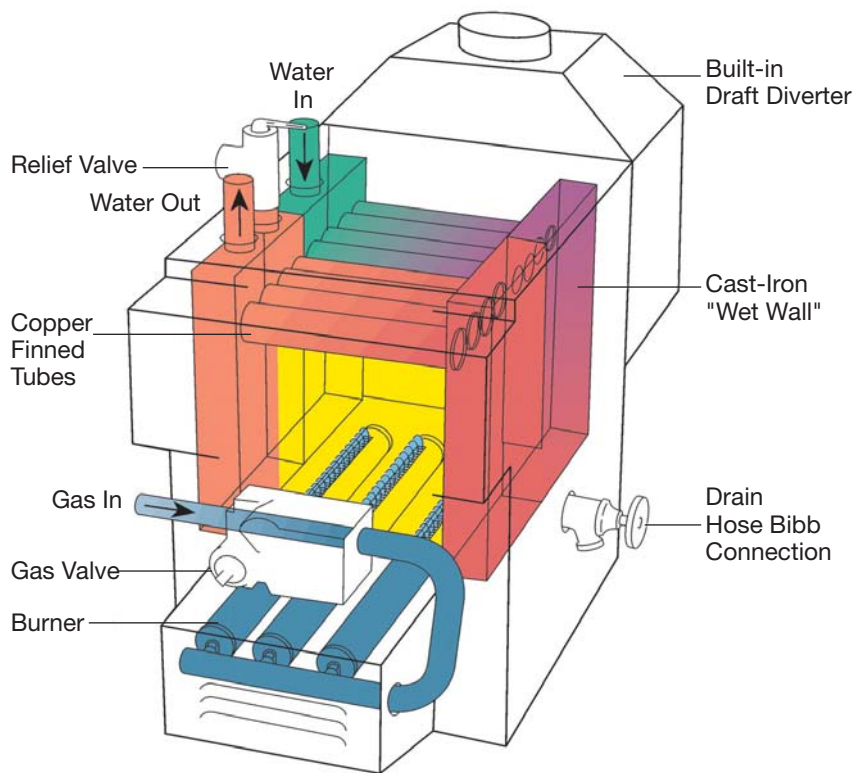
JVH Size	Input		Firing Mode	Heat Capacity BTU/h x 1000		Heat Capacity kW		AFUE %	
	BTU/h x 1000	kW		Natural	Propane	Natural	Propane	Natural	Propane
50	50	14.6	On/Off	41.5	42.0	12.2	12.3	83.4	84.0
75	75	21.9	On/Off	62.3	63.0	18.3	18.5	83.2	84.0
100	100	29.1	On/Off	82.0	83.5	24.0	24.5	82.4	84.0
125	125	36.6	On/Off	102.5	103.0	30.0	30.2	82.4	82.8
160	160	46.8	On/Off	131.2	132.8	38.4	38.9	82.3	82.4
225	225	65.9	On/Off	184.8	187.2	54.1	54.8	82.2	83.2

JVH Size	Dimensions						Water Conn. in.	Gas Conn. in.	Approx Weight	
	A		B		C				lbs.	kg
	Inches	kW	Inches	kW	Inches	kW				
50	13 ³ / ₈	34	27 ³ / ₄	71	23 ⁵ / ₈	60	1 ¹ / ₄	1/2	120	54
75	13 ³ / ₈	34	27 ³ / ₄	71	24 ¹ / ₈	61	1 ¹ / ₄	1/2	126	57
100	16 ⁷ / ₈	43	28 ³ / ₄	73	24 ¹ / ₈	61	1 ¹ / ₄	1/2	134	61
125	16 ⁷ / ₈	43	28 ³ / ₄	73	23 ⁵ / ₈	60	1 ¹ / ₄	1/2	138	63
160	20 ³ / ₈	52	28 ³ / ₄	73	23 ⁵ / ₈	60	1 ¹ / ₄	1/2	164	74
225	25 ⁵ / ₈	65	31 ¹ / ₂	80	23 ¹ / ₄	59	1 ¹ / ₄	1/2	181	82



LAARS® MINITHERM FEATURES

- Attractive, new easy-to-service jacket
- Compact design = small footprint
- Six sizes: 50, 75, 100, 125, 160 & 225 to suit any home
- Copper-finned tube heat exchanger with cast iron "wet walls"
- On/Off or 2-Stage firing modes (varies by model)
- Up to 85% AFUE
- Optional circulating pump
- Venting choices include side-wall or chimney options
- Easy to install



The Right Solution for Home Heating Systems



View our entire product line at www.Laars.com

LAARS[®] 
Heating Systems Company
A subsidiary of **BRADFORD WHITE**[®] Corporation

800.900.9276 • Fax **800.559.1583** (*Customer Service, Service Advisors*)
20 Industrial Way, Rochester, NH 03867 • **603.335.6300** • Fax **603.335.3355** (*Applications Engineering*)
1869 Sismet Road, Mississauga, Ontario, Canada L4W 1W8 • **905.238.0100** • Fax **905.366.0130**

www.Laars.com